

FP300

Versatile Coriolis Mass Flow Meter For Low Flow Applications

FEATURES

- Standard pressure ratings up to 40 bar (580 psi)
- Temperature ratings from -196 to 210 °C (-321 to 410 °F)
**-196 °C (-321 °F) only in seal-less sensor version*
- Mass flow uncertainty down to 0.10%
- Density uncertainty down to 0.10%
- Repeatability better than 0.05%
- Typical measuring ranges between 3 to 300 kg/h
- Unique robust torsion driven oscillation system
- Process connection customization available
- Ultra compact design with minimal footprint
- Approved for use in hazardous areas
- Stainless steel case
- Removable connection manifold version available for easy and efficient maintenance
- Remote and compact transmitter versions available



TRANSMITTER RANGE



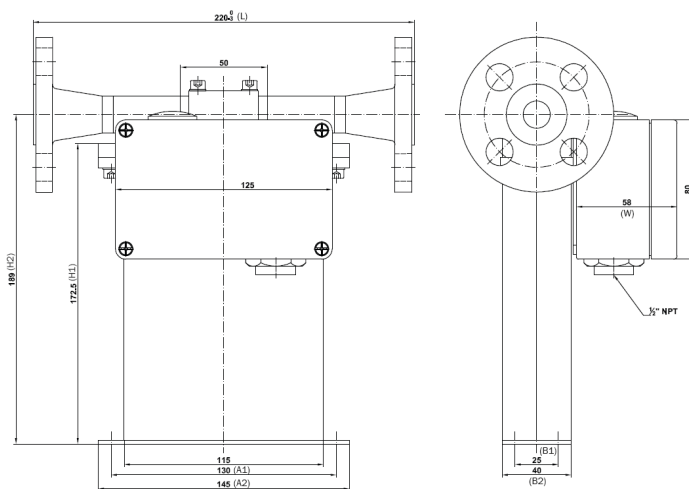
All flowpulse mass flow transmitter models can be combined with the FP300 sensor to provide an overall mass flow measurement system to suit any requirement. Flowpulse Coriolis transmitters are designed for process, industrial and OEM applications. Together, they offer a tremendous range of options for system designers and end users alike.

GENERAL SPECIFICATIONS

Measuring Accuracy	± 0.20% of actual measured flow rate ± 0.10% of actual measured flow rate (Premium)
Density Uncertainty	± 0.50% of actual measured density ± 0.10% of actual measured density (Premium)
Mass Flow Measurement Repeatability	± 0.05% of rate
Temperature Range	-196 °C to 210 °C (-321 °F to 410 °F) (*-196 °C (-321 °F) only in seal-less sensor version)
Pressure Ratings	Standard pressure rating up to 40 bar (580 psi)
Electrical Connection	Cable entry M25 x 1.5 (standard) M20 x 1.5, ½" NPT, ¾" NPT (optional) Max cable length to remote transmitter 100m (330 ft)
Sensor Housing Materials	1.4301 / 304 stainless steel (standard), 1.4571 / 316Ti stainless steel (optional) Epoxy coated aluminium electrical box (standard), 1.4571 / 316Ti stainless steel (optional)
Enclosure Type	Protection Class IP 65. Optional IP 66 / NEMA 4X

PROCESS CONNECTIONS & DIMENSIONS

PMO: Parallel measuring tubes and removable manifold



Process Connection	Face to face length (L)	
	mm	in
ANSI ½" 150# RF	220	8.66
ANS ½" 300# RF	220	8.66
DIN DN15/PN40	220	8.66
JIS RF 10k 15A (½")	220	8.66
JIS RF 20k 15A (½")	220	8.66

Size	L (in)	A1 (in)	A2 (in)	B1 (in)	B2 (in)	H1 (in)	H2 (in)	W (in)
FP300	8.66	5.12	5.71	0.98	1.57	6.81	7.44	0/3.94*