

# FP3000

## Versatile Coriolis Mass Flow Meter

### FEATURES

- Standard pressure ratings up to 1254 bar (18188 psi)
- Temperature ratings from -196 to 350 °C (-320 to 662 °F)
- Mass flow uncertainty down to 0.10%
- Repeatability better than 0.05%
- Typical measuring ranges between 0.5 and 50 kg/min
- Accurately measure low flow rates down to 300 g/min
- Unique robust torsion driven oscillation system
- Process connection customization available
- Minimum footprint versions available
- Approved for use in hazardous areas
- Stainless steel case
- Removable connection manifold version available for easy and efficient maintenance
- Remote and compact transmitter versions available



### TRANSMITTER RANGE



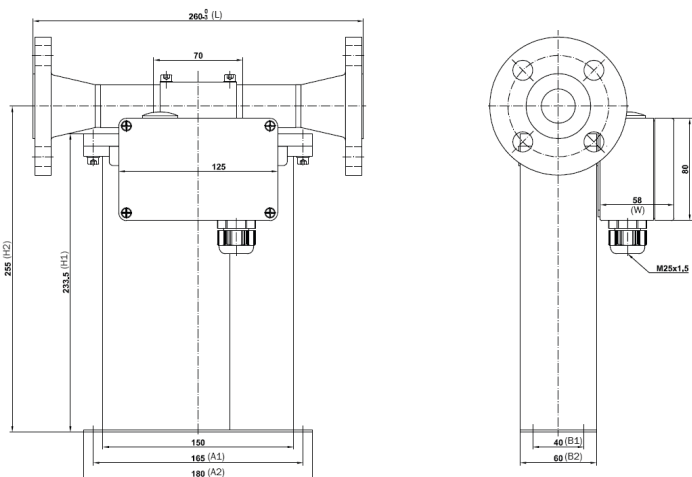
All flowpulse mass flow transmitter models can be combined with the FP3000 sensor to provide an overall mass flow measurement system to suit any requirement. Flowpulse Coriolis transmitters are designed for process, industrial and OEM applications. Together, they offer a tremendous range of options for system designers and end users alike.

## GENERAL SPECIFICATIONS

|  |   |
|--|---|
| <b>Nominal Max Flow Range</b>              | Parallel/dual path measurement tube versions: 50 kg/min (110.2 lb/min)<br>Serial/single path measurement tube versions: 25 kg/min (55.1 lb/min)   |
| <b>Basic Accuracy</b>                      | 0.2% uncertainty at 50 kg/min (110 lb/min)  |
| <b>Mass Flow Measurement Repeatability</b> | ± 0.05% of rate   |
| <b>Temperature Range</b>                   | -45 °C to +210 °C (-49 to +410 °F)  |
| <b>Pressure Ratings</b>                    | 233 bar (3379 psi) at 210 °C (410 °F)   |
| <b>Electrical Connection</b>               | Cable entry M25 x 1.5 (standard) M20 x 1.5, ½" NPT, ¾" NPT (optional)<br>Max cable length to remote transmitter 100m (330 ft)   |
| <b>Sensor Housing Materials</b>            | 1.4301 / 304 stainless steel (standard),<br>1.4571 / 316Ti stainless steel (optional)<br>Epoxy coated aluminium electrical box (standard),<br>1.4571 / 316Ti stainless steel (optional) |
| <b>Enclosure Type</b>                      | Protection Class IP 65. Optional IP 66 / NEMA 4X  |

## PROCESS CONNECTIONS & DIMENSIONS

PMO: Parallel measuring tubes and removable manifold



| Process Connection  | Face to face length (L) |       |
|---------------------|-------------------------|-------|
|                     | mm                      | in    |
| ANSI ½" 150# RF     | 260                     | 10.24 |
| ANSI 1" 150# RF     | 260                     | 10.24 |
| ANSI ½" 300# RF     | 260                     | 10.24 |
| ANS 1" 300# RF      | 260                     | 10.24 |
| DIN DN15/PN40       | 260                     | 10.24 |
| DIN DN25/PN40       | 260                     | 10.24 |
| JIS RF 10K 15A (½") | 260                     | 10.24 |
| JIS RF 10k 25A (1") | 260                     | 10.24 |
| JIS RF 20K 15A (½") | 260                     | 10.24 |
| JIS RF 20k 25A (1") | 260                     | 10.24 |

| Size   | L (in) | A1 (in) | A2 (in) | B1 (in) | B2 (in) | H1 (in) | H2 (in) | W (in)  |
|--------|--------|---------|---------|---------|---------|---------|---------|---------|
| FP3000 | 10.23  | 6.50    | 7.09    | 1.57    | 2.36    | 9.21    | 10.04   | 0/5.91* |