

FP18MT

Industrial Coriolis Mass Flow Meter

FEATURES

- Standard pressure ratings up to 392 bar (5685 psi)
- Temperature ratings from -196 to 350 °C (-320 to 662 °F)
- Mass flow uncertainty down to 0.15%
- Density uncertainty down to 0.5%
- Repeatability better than 0.05%
- Typical measuring ranges between 3 and 300 kg/min
- Accurately measure low flow rates down to 2.25 kg/min
- Unique robust torsion driven oscillation system
- Process connection customization available
- Minimum pipe footprint versions available
- Approved for use in hazardous areas
- Stainless steel case
- Removable connection manifold version available for easy and efficient maintenance
- Remote and compact transmitter versions available



TRANSMITTER RANGE



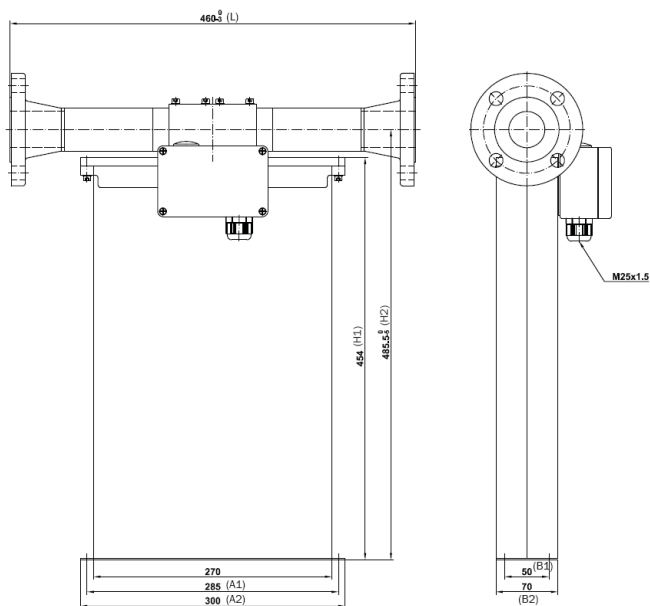
All flowpulse mass flow transmitter models can be combined with the FP18MT sensor to provide an overall mass flow measurement system to suit any requirement. Flowpulse Coriolis transmitters are designed for process, industrial and OEM applications. Together, they offer a tremendous range of options for system designers and end users alike.

GENERAL SPECIFICATIONS

Nominal Max Flow Range	Parallel/dual path measurement tube versions: 300 kg/min (661.4 lb/min) Serial/single path measurement tube versions: 150 kg/min (330.7 lb/min)
Density Range	5 to 5000 kg/m ³ (0.31 to 312 lb/ft ³)
Basic Accuracy	0.2% uncertainty at 300 kg/min (661 lb/min)
Mass Flow Measurement Repeatability	± 0.05% of rate
Temperature Range	-45 °C to +210 °C (-49 to +410 °F)
Pressure Ratings	92 bar (1334 psi) at 210 °C (410 °F)
Electrical Connection	Cable entry M25 x 1.5 (standard) M20 x 1.5, ½" NPT, ¾" NPT (optional) Max cable length to remote transmitter 100m (330 ft)
Sensor Housing Materials	1.4301 / 304 stainless steel (standard), 1.4571 / 316Ti (optional) Epoxy coated aluminium electrical box (standard), 1.4571 / 316Ti Stainless Steel (optional)
Enclosure Type	Protection Class IP 65. Optional IP 66 / NEMA 4X

PROCESS CONNECTIONS & DIMENSIONS

PM0: Parallel measuring tubes and removable manifold



Process Connection	Face to face length (L)	
	mm	in
ANSI 1½" 150# RF	460	18.11
ANS 1½" 300# RF	460	18.11
DIN DN40/PN40	460	18.11
JIS B 2220 RF 10k 40A (1½")	460	18.11
JIS B 2220 RF 20k 40A (1½")	460	18.11

Size	L (in)	A1 (in)	A2 (in)	B1 (in)	B2 (in)	H1 (in)	H2 (in)	W (in)
FP18MT	18.11	11.22	11.81	1.97	2.76	17.87	19.13	0/5.91*