

# FP45MT

## Coriolis Mass Flow Meter for Plant and Loading Flows

### FEATURES

- Standard pressure ratings up to 798 bar (11574 psi)
- Temperature ratings from -196 to 350 °C (-320 to 662 °F)
- Mass flow uncertainty down to 0.15%
- Density uncertainty down to 0.5%
- Repeatability better than 0.05%
- Typical measuring ranges between 7.5 and 750 kg/min
- Accurately measure low flow rates down to 5 kg/min
- Unique robust torsion driven oscillation system
- Process connection customization available
- Minimum pipe footprint versions available
- Approved for use in hazardous areas
- Stainless steel case
- Removable connection manifold version available for easy and efficient maintenance
- Remote and compact transmitter versions available



### TRANSMITTER RANGE



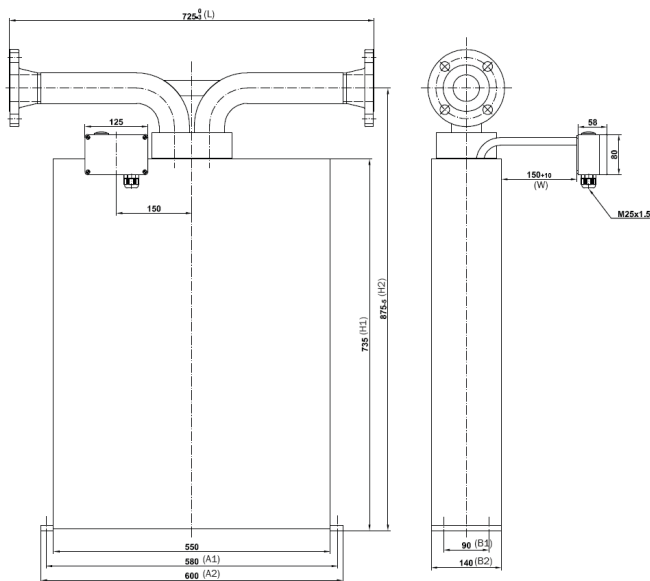
All flowpulse mass flow transmitter models can be combined with the FP45MT sensor to provide an overall mass flow measurement system to suit any requirement. Flowpulse Coriolis transmitters are designed for process, industrial and OEM applications. Together, they offer a tremendous range of options for system designers and end users alike.

## GENERAL SPECIFICATIONS

<b>Nominal Max Flow Range</b>	Parallel/dual path measurement tube versions: 750 kg/min (1653.5 lb/min) Serial/single path measurement tube versions: 375 kg/min (826.7 lb/min)
<b>Density Range</b>	5 to 5000 kg/m <sup>3</sup> (0.31 to 312 lb/ft <sup>3</sup> )
<b>Basic Accuracy</b>	0.2% uncertainty at 750 kg/min (1653 lb/min)
<b>Mass Flow Measurement Repeatability</b>	± 0.05% of rate
<b>Temperature Range</b>	-45 °C to +210 °C (-49 to +410 °F)
<b>Pressure Ratings</b>	106 bar (1537 psi) at 210 °C (410 °F)
<b>Electrical Connection</b>	Cable entry M25 x 1.5 (standard) M20 x 1.5, ½" NPT, ¾" NPT (optional) Max cable length to remote transmitter 100m (330 ft)
<b>Sensor Housing Materials</b>	1.4301 / 304 stainless steel (standard), 1.4571 / 316Ti stainless steel (optional) Epoxy coated aluminium electrical box (standard), 1.4571 / 316Ti stainless steel (optional)
<b>Enclosure Type</b>	Protection class IP 65. Optional IP 66 / NEMA 4X

## PROCESS CONNECTIONS & DIMENSIONS

PM0: Parallel measuring tubes and removable manifold



Process Connection	Face to face length (L)	
	mm	in
ANSI 2" 150# RF	460	18.11
ANSI 2" 300# RF	460	18.11
DIN DN50/PN40	460	18.11
JIS B 2220 RF 10k 50A (2")	460	18.11
JIS B 2220 RF 20k 50A (2")	460	18.11

Size	L (in)	A1 (in)	A2 (in)	B1 (in)	B2 (in)	H1 (in)	H2 (in)	W (in)
FP45MT	28.54	22.83	23.62	3.54	5.51	28.93	34.45	5.91