

# FP90MT

## Coriolis Mass Flow Meter for Demanding Applications

### FEATURES

- Standard pressure ratings up to 433 bar (6280 psi)
- Temperature ratings from -196 to 350 °C (-320 to 662 °F)
- Mass flow uncertainty down to 0.15%
- Density uncertainty down to 0.5%
- Repeatability better than 0.05%
- Typical measuring ranges between 15 and 1500 kg/min
- Accurately measure low flow rates down to 12.5 kg/min
- Unique robust torsion driven oscillation system
- Process connection customization available
- Approved for use in hazardous areas
- Stainless steel case
- Remote and compact transmitter versions available



### TRANSMITTER RANGE



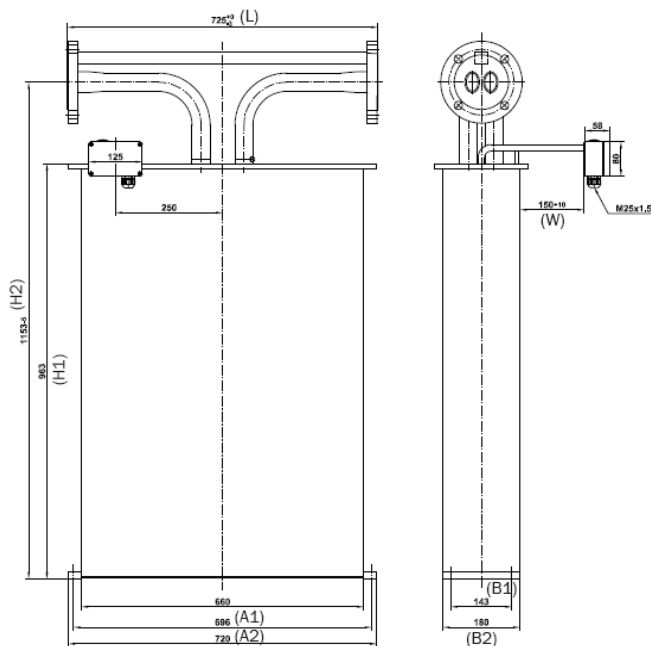
All flowpulse mass flow transmitter models can be combined with the FP90MT sensor to provide an overall mass flow measurement system to suit any requirement. Flowpulse Coriolis transmitters are designed for process, industrial and OEM applications. Together, they offer a tremendous range of options for system designers and end users alike.

## GENERAL SPECIFICATIONS

<b>Nominal Max Flow Range</b>	Parallel/dual path measurement tube versions: 1500 kg/min (3306.9 lb/min) Serial/single path measurement tube versions: 750 kg/min (1653.5 lb/min)
<b>Density Range</b>	5 to 5000 kg/m <sup>3</sup> (0.31 to 312 lb/ft <sup>3</sup> )
<b>Basic Accuracy</b>	0.2% uncertainty at 1500 kg/min (3307 lb/min)
<b>Mass Flow Measurement Repeatability</b>	± 0.05% of rate
<b>Temperature Range</b>	-20 °C to +120 °C (-4 to +248 °F)
<b>Pressure Ratings</b>	147 bar (2132 psi) at 120 °C (662 °F)
<b>Electrical Connection</b>	Cable entry M25 x 1.5 (standard) M20 x 1.5, ½" NPT, ¾" NPT (optional) Max cable length to remote transmitter 30m (98 ft). 100m (330ft) with optional high performance cable
<b>Sensor Housing Materials</b>	1.4301 / 304 stainless steel (standard), 1.4571 / 316Ti stainless steel (optional) Epoxy coated aluminium electrical box (standard), 1.4571 / 316Ti stainless steel (optional)
<b>Enclosure Type</b>	Protection Class IP 65. Optional IP 66 / NEMA 4X

## PROCESS CONNECTIONS & DIMENSIONS

FP0: Seal-less parallel measuring tube construction with flange connections



Process Connection	Face to face length (L)	
	mm	in
ANSI 3" 150# RF	725	28.54
ANSI 3" 300# RF	725	28.54
DIN DN80/PN40	725	28.54
JIS RF 10k 80A (3")	725	28.54
JIS RF 20k 80A (3")	725	28.54

Size	L (in)	A1 (in)	A2 (in)	B1 (in)	B2 (in)	H1 (in)	H2 (in)	W (in)
FP90MT	28.54	27.40	11.81	1.97	2.76	17.87	19.13	0/5.91*