

# FP180

## Coriolis Mass Flow Meter with Uncompromising Performance

### FEATURES

- Standard pressure ratings up to 490 bar (7107 psi)
- Temperature ratings from -196 to 350 °C (-320 to 662 °F)
- Mass flow uncertainty down to 0.15%
- Density uncertainty down to 0.5%
- Repeatability better than 0.05%
- Typical measuring ranges between 60 and 3000 kg/min
- Accurately measure low flow rates down to 45 kg/min
- Unique robust torsion driven oscillation system
- Process connection customization available
- Approved for use in hazardous areas
- Stainless steel case
- Remote and compact transmitter versions available



### TRANSMITTER RANGE



All flowpulse mass flow transmitter models can be combined with the FP180T sensor to provide an overall mass flow measurement system to suit any requirement. Flowpulse Coriolis transmitters are designed for process, industrial and OEM applications. Together, they offer a tremendous range of options for system designers and end users alike.

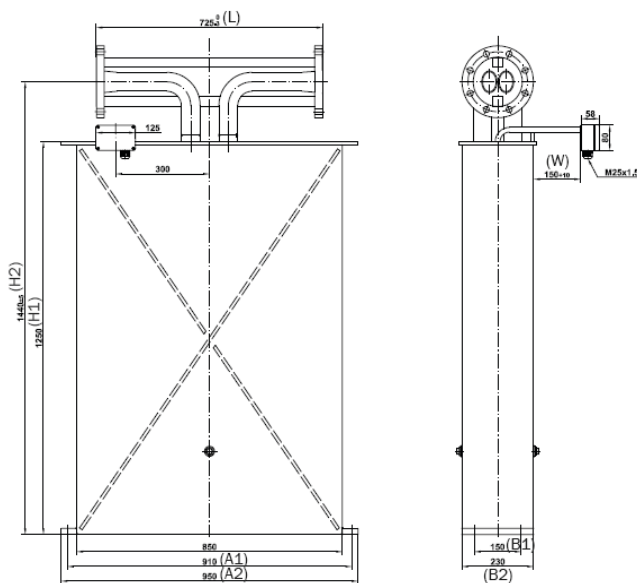
## GENERAL SPECIFICATIONS

<b>Nominal Max Flow Range</b>	3000 kg/min (6613.9 lb/min)
<b>Density Range</b>	5 to 5000 kg/m <sup>3</sup> (0.31 to 312 lb/ft <sup>3</sup> )
<b>Basic Accuracy</b>	0.2% uncertainty at 3000* kg/min (6614 lb/min)
<b>Mass Flow Measurement Repeatability</b>	± 0.05% of rate
<b>Temperature Range</b>	-20 °C to +120 °C (-4 to +248 °F)
<b>Pressure Ratings</b>	93 bar (1349 psi) at 120 °C (248 °F)
<b>Electrical Connection</b>	Cable entry M25 x 1.5 (standard) M20 x 1.5, ½" NPT, ¾" NPT (optional) Max cable length to remote transmitter 30m (98 ft). 100m (330ft) with optional high performance cable
<b>Sensor Housing Materials</b>	1.4301 / 304 stainless steel (standard), 1.4571 / 316Ti stainless steel (optional) Epoxy coated aluminium electrical box (standard), 1.4571 / 316Ti stainless steel (optional)
<b>Enclosure Type</b>	Protection Class IP 65. Optional IP 66 / NEMA 4X

\* Highest calibration point at factory only up to 2000 kg/min

## PROCESS CONNECTIONS & DIMENSIONS

FP0: Seal-less parallel measuring tube construction with flange connections



Process Connection	Face to face length (L)	
	mm	in
ANSI 4" 150# RF	725	28.54
ANSI 4" 300# RF	725	28.54
DIN DN100/PN40	725	28.54

Size	L (in)	A1 (in)	A2 (in)	B1 (in)	B2 (in)	H1 (in)	H2 (in)	W (in)
FP180T	28.54	35.83	37.40	5.91	9.06	49.33	56.81	5.91