

# FP480

## High Flow Coriolis Mass Flow Meter

### FEATURES

- Standard pressure ratings up to 341 bar (4946 psi)
- Temperature ratings from -196 to 350 °C (-320 to 662 °F)
- Mass flow uncertainty down to 0.10%
- Density uncertainty down to 0.10%
- Repeatability better than 0.05%
- Typical measuring ranges between 200 and 8000 kg/min
- Accurately measure low flow rates down to 130g/min
- Unique robust torsion driven oscillation system
- Process connection customization available
- Approved for use in hazardous areas
- Stainless steel case
- Remote and compact transmitter versions available



### TRANSMITTER RANGE



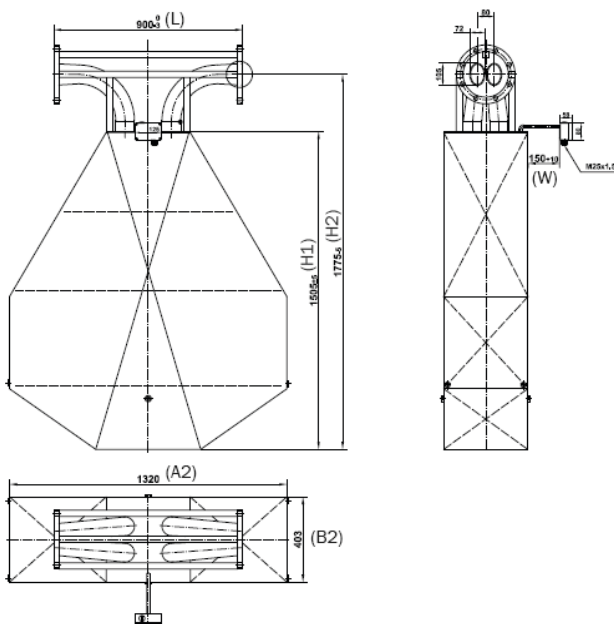
All flowpulse mass flow transmitter models can be combined with the FP480T sensor to provide an overall mass flow measurement system to suit any requirement. Flowpulse Coriolis transmitters are designed for process, industrial and OEM applications. Together, they offer a tremendous range of options for system designers and end users alike.

## GENERAL SPECIFICATIONS

<b>Nominal Max Flow Range</b>	8000 kg/min (17637 lb/min)
<b>Density Range</b>	5 to 5000 kg/m <sup>3</sup> (0.31 to 312 lb/ft <sup>3</sup> )
<b>Basic Accuracy</b>	0.10% uncertainty at 8000 kg/min (17637 lb/min)
<b>Mass Flow Measurement Repeatability</b>	± 0.05% of rate
<b>Temperature Range</b>	-20 °C to +120 °C (-4 to +248 °F)
<b>Pressure Ratings</b>	93 bar (1349 psi) at 120 °C (248 °F)
<b>Electrical Connection</b>	Cable entry M25 x 1.5 (standard) M20 x 1.5, ½" NPT, ¾" NPT (optional) Max cable length to remote transmitter 30m (98 ft). 100m (330ft) with optional high performance cable
<b>Sensor Housing Materials</b>	1.4301 / 304 stainless steel (standard), 1.4571 / 316Ti stainless steel (optional) Epoxy coated aluminium electrical box (standard), 1.4571 / 316Ti stainless steel (optional)
<b>Enclosure Type</b>	Protection Class IP 65. Optional IP 66 / NEMA 4X

## PROCESS CONNECTIONS & DIMENSIONS

PFO: Seal-less parallel measuring tube construction with flange connections



Process Connection	Face to face length (L)	
	mm	in
ANSI 6" 150# RF	900	35.43
ANSI 6" 300# RF	900	35.43
DIN DN150/PN40	900	35.43
JIS RF 10k 50A (6")	900	35.43
JIS RF 20k 150A (6")	900	35.43

Size	L (in)	A1 (in)	A2 (in)	B1 (in)	B2 (in)	H1 (in)	H2 (in)	W (in)
FP480T	35.43	NA	41.97	NA	15.87	59.21	69.88	5.91