

# FP720

## Coriolis Mass Flow Meter for High Flow Terminal and Transfer Applications

### FEATURES

- Standard pressure ratings up to 237 bar (3437 psi)
- Temperature ratings from -196 to 210 °C (-320 to 410 °F)
- Mass flow uncertainty down to 0.15%
- Density uncertainty down to 0.5%
- Repeatability better than 0.05%
- Typical measuring ranges between 300 and 12000 kg/min
- Accurately measure low flow rates down to 200 kg/min
- Unique robust torsion driven oscillation system
- Process connection customization available
- Approved for use in hazardous areas
- Stainless steel case
- Remote and compact transmitter versions available



### TRANSMITTER RANGE



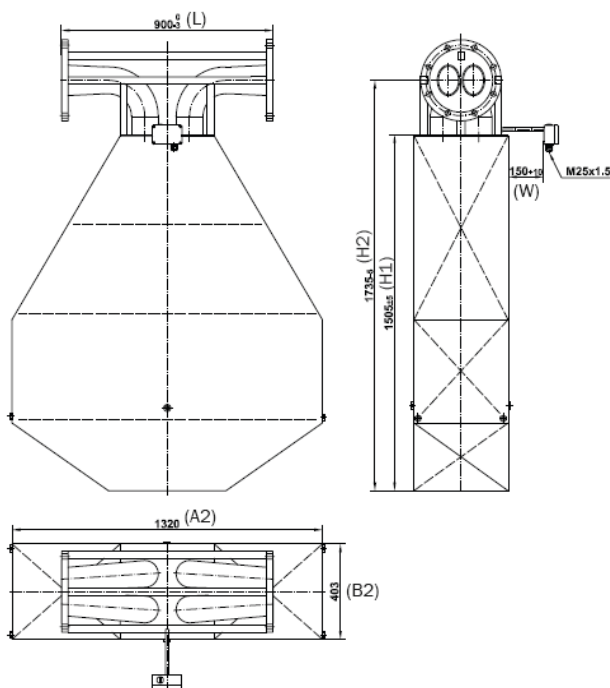
All flowpulse mass flow transmitter models can be combined with the FP720T sensor to provide an overall mass flow measurement system to suit any requirement. Flowpulse Coriolis transmitters are designed for process, industrial and OEM applications. Together, they offer a tremendous range of options for system designers and end users alike.

## GENERAL SPECIFICATIONS

Nominal Max Flow Range	12000 kg/min (26456 lb/min)
Density Range	5 to 5000 kg/m <sup>3</sup> (0.31 to 312 lb/ft <sup>3</sup> )
Basic Accuracy	0.2% uncertainty at 12000* kg/min (26455 lb/min)
Mass Flow Measurement Repeatability	± 0.05% of rate
Temperature Range	-20 °C to +120 °C (-4 to +248 °F)
Pressure Ratings	66 bar (957 psi) at 120 °C (248 °F)
Electrical Connection	Cable entry M25 x 1.5 (standard) M20 x 1.5, ½" NPT, ¾" NPT (optional) Max cable length to remote transmitter 30m (98 ft). 100m (330ft) with optional high performance cable
Sensor Housing Materials	1.4301 / 304 stainless steel (standard), 1.4571 / 316Ti stainless steel (optional) Epoxy coated aluminium electrical box (standard), 1.4571 / 316Ti stainless steel (optional)
Enclosure Type	Protection Class IP 65. Optional IP 66 / NEMA 4X

## PROCESS CONNECTIONS & DIMENSIONS

PFO: Seal-less parallel measuring tube construction with flange connections



Process Connection	Face to face length (L)	
	mm	in
ANSI 8" 150# RF	900	35.43
ANSI 8" 300# RF	900	35.43
DIN DN200/PN40	900	35.43
JIS RF 10k 200A (8")	900	35.43
JIS RF 20k 200A (8")	900	35.43

Size	L (in)	A1 (in)	A2 (in)	B1 (in)	B2 (in)	H1 (in)	H2 (in)	W (in)
FP720T	35.43	NA	51.97	NA	15.87	59.21	68.31	5.91